

ACCESSORIES
RIVETER

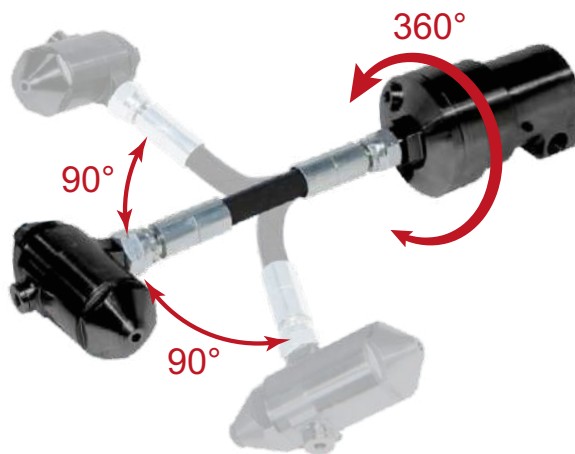
BLIND RIVET ADAPTER FOR 8T RIVETERS

Ref. 059214

The blind rivet adapter is compatible with both the GYSPRESS 8T and GYSPRESS 8T PUSH PULL riveters. Its tensile force is 20 kN. It allows the setting of blind rivets with diameters from 4.0 to 7.8 mm for aluminium and 4.0 to 6.4 mm for steel.

ADVANTAGES

- **360° rotation** for greater accessibility.
- **Flexible at 90°**, the head can be used in difficult areas of access.
- **Versatile** thanks to its different diameter nozzles.
- **Robust** due to its steel structure.



FITTING CAPACITY

+ **Blind rivets**

Aluminium: Ø 4.0 to 7.8 mm
Steel: 4.0 to 6.4 mm

+ **Rivets RIBE**

+ ACCESSORIES (INCLUDED)



1 Set of jaws
containing
3 pieces
réf. 058446



Nozzles

Ø 3.2 ref. 059221
Ø 3.6 ref. 059238
Ø 4.0 ref. 059245
Ø 4.5 ref. 059252

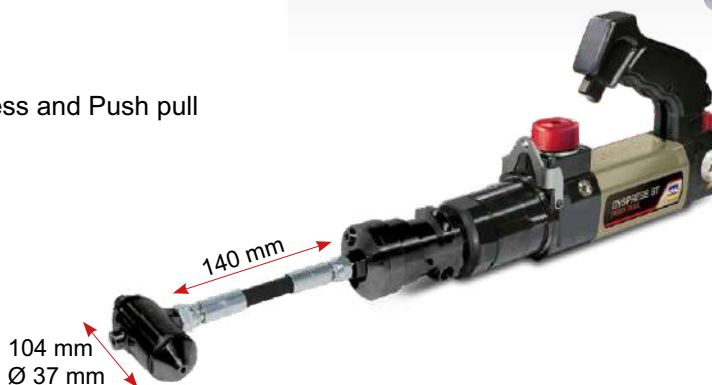
Storage space
nozzles
on the adapter



COMPATIBILITY

This adapter is compatible with both GYSpress and Push pull riveting machines:

- ✓ GYSPRESS 8T
- ✓ GYSPRESS 8T PUSH-PULL



+ GYSPRESS 8T



Pressure
max.

20 kN
8 bar



cm/kg

23x45x36 / 1,5