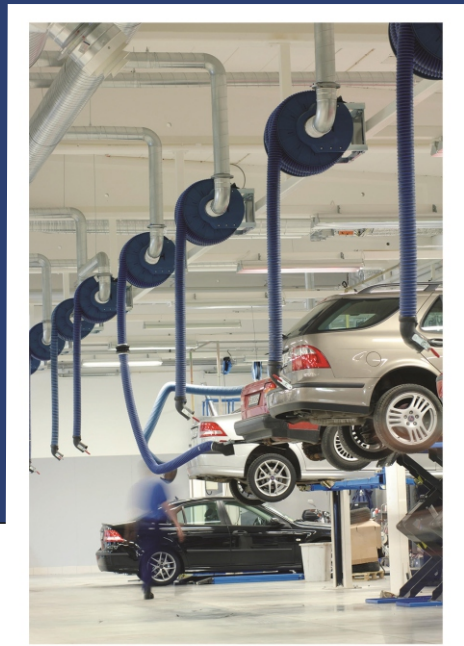


EXTRACTION & REMOVAL SYSTEM

Exhaust extraction systems for workshop and garage at affordable prices!

Maintaining clean air in a working environment is important for the health and safety of auto mechanics. Hazardous chemicals that escape through the exhaust of engines are eliminated through the application of a vehicle exhaust extraction system. Relying on a vehicle exhaust extraction system is important if you're working indoors. Without removing the toxins from exhaust, workers are at danger of performing their everyday tasks in a harmful environment. Toxins that aren't filtered by a vehicle exhaust hose are carcinogens. If you manage the operation of one of the following, then you'll want to make sure your team is kept safe with the proper vehicle exhaust ventilation system in place:

Automotive repair shops | Auto Dealers | Motorcycle & ATV/UTV repair | Residential Garage



Nozzle List

Exhaust nozzles are source capturing, helping to transfer hot exhaust from the tailpipe into exhaust hoses. This small piece of rubber is simple to connect your hose to various types of tailpipes. It is heat-resistant to protect users from vehicle exhaust exposure. Whether you're shopping for a new vehicle exhaust extraction system or replacing an old exhaust hose tailpipe adapter, you'll benefit from a tight source capture.

FOR HIDDEN TAILPIPE



FOR SIDE BY SIDE TAILPIPE



PART NO							PART NO						
Tailpipe	Single		Double		Double		Tailpipe	Double					
Max.Tailpipe	120mm	120mm	210x120 mm	210x120 mm	320x150 mm	320x150 mm	Max.Tailpipe	200x100 mm	200x100 mm	210x100 mm	220x120 mm	220x120 mm	220x120 mm
Hose Connection	75mm	100mm	75mm	100mm	75mm	100mm	Hose Connection	75mm	100mm	75mm	100mm	75mm	100mm
Vehicle Type	car	car	car	car	car	car	Vehicle Type	car	car	car	car	car	car



EXTRACTION & REMOVAL SYSTEM

Exhaust extraction systems for workshop and garage at affordable prices!

STAND ALONE TAILPIPE

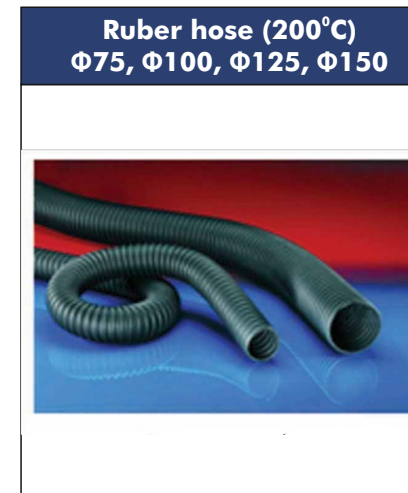
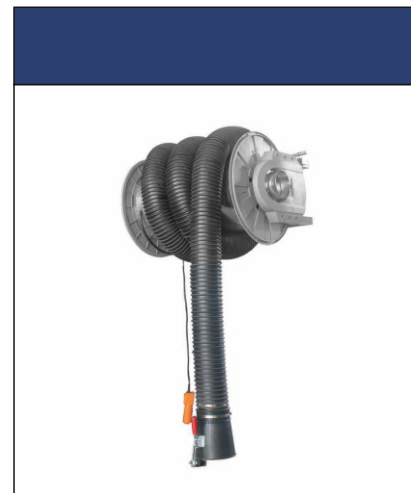


PART NO	Single				PART NO	Double					
Tailpipe					Tailpipe						
Max.Tailpipe	180mm	180mm	210mm	210mm	Max.Tailpipe	120mm	120mm	110mm	110mm	110mm	110mm
Hose Connection	100mm	125mm	125mm	150mm	Hose Connection	75mm	100mm	75mm	100mm	75mm	100mm
Vehicle Type	car	Heavy duty vehicle	Heavy duty vehicle	Heavy duty vehicle	Vehicle Type	car	car	car	car	car	car

Hose List

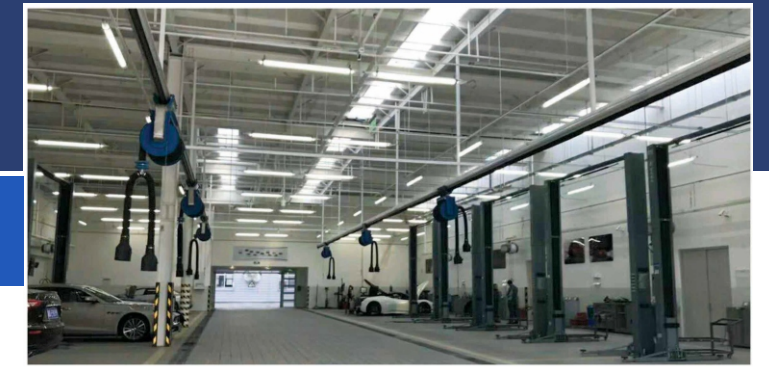
Our Exhaust hoses have standard 200°C, 300°C, for choice. Even 900°C hose is available for heavy duty vehicle to car, our selection of exhaust hose is perfect for variety of application.

If you are uncertain what exhaust hose is right for you, you can start by identifying the temperature range you'll need to cover. Under most normal conditions, a 200c high temperature exhaust hose should be sufficient. this assumes that the vehicle is at an idle and under minimal to no additional load.



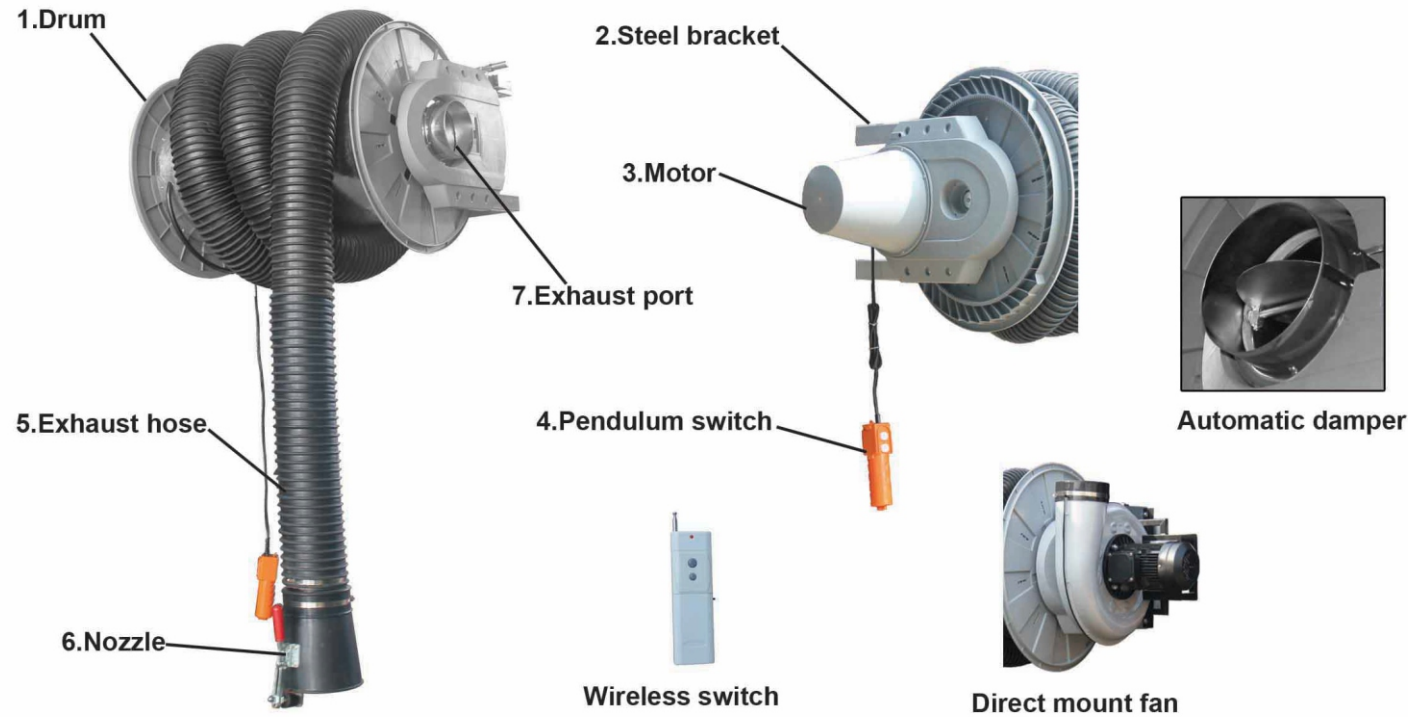
EXTRACTION & REMOVAL SYSTEM

Exhaust extraction systems for workshop and garage at affordable prices!



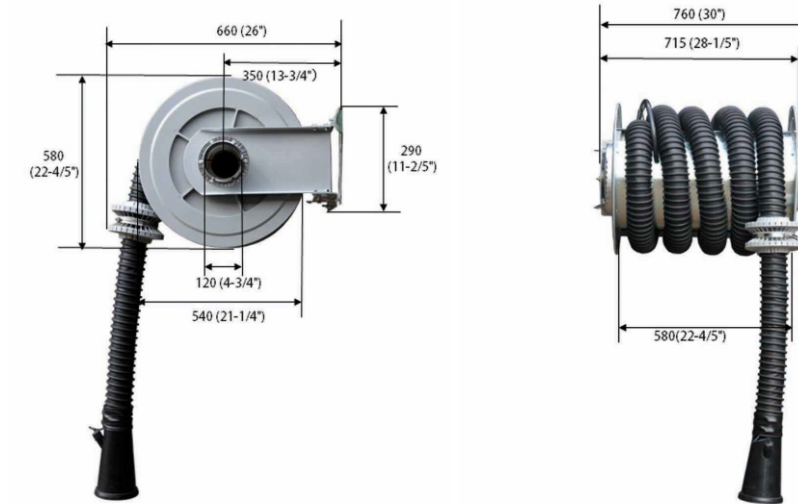
Manual Spring Retraction Hose Reel-Basic Model

Manual Spring operated reels work best in application where the hose reel is within reaching distance of the operator. Simply pull down the hose to the desired length and attach the exhaust nozzle to the tailpipe. After successfully removing car exhaust from your space, the hose easily retracts back into the reel.



1. A drum (Dia-casting PPS Plastic housing and zinc-plated steel cylinder) stores the hose securely in place overhead.
2. The hose reel is mounted to a steel bracket.
3. Manual operation with multi-position lock ratchet and stopper collar.
4. Heat & crush resistant rubber hose.
5. Easy-quick nozzle (with prone intake for CO test) can attach to the exhaust source.
6. The hose reel exhaust port can be equipped with a direct mount fan/blower (option).

Dimension



Description

ES model 276005 spring hose reel with 075x8000 mm rubber hose, plus the optional 26120 tailpipe nozzle, Rubber Round Mouth for Max. 1120 mm tailpipe and 075 mm hose.

The Reels are offered in standard 75mm, 100mm, 125mm or 150mm hose diameters for choice. In addition to varying diameters, hose reels may come equipped with standard 200°C at varying lengths.

The Reels have varying nozzle types. Select the nozzle that meets your tailpipe diameter and hose diameter needs from our nozzle list.

The Reels are supplied completely assembled and ready for installation. The reels may be connected with ductwork to a central exhaust system or each reel may be supplied with a direct mount fan (0.55KW, 0.75KW, 1.5KW or 2.2KW for choice)

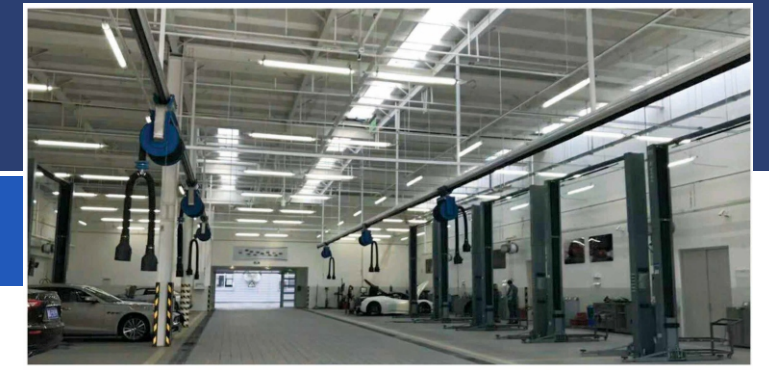
ES hose reels may be mounted in three positions: Ceiling mounts, Wall mounts and Floor mounts. Ceiling mounts are most common.

Specification

Item No.	Dust Connection	Exhaust Hose				Nozzle	Fan
		Diameter	Length	Temperature	Material		
276005	Φ120mm	75mm	8m	200°C	Rubber	26120	0.55KW

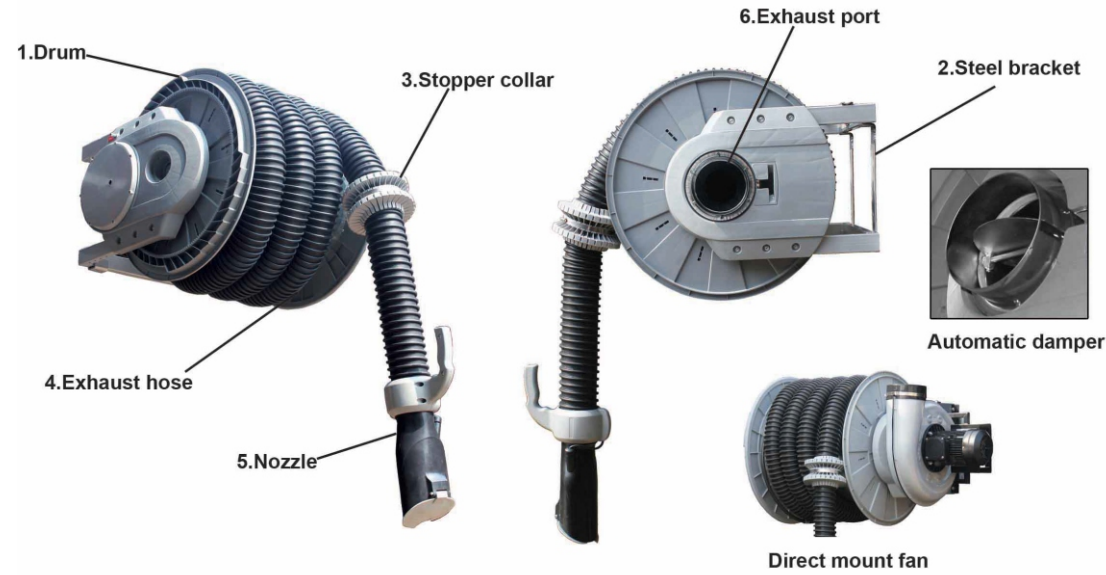
EXTRACTION & REMOVAL SYSTEM

Exhaust extraction systems for workshop and garage at affordable prices!



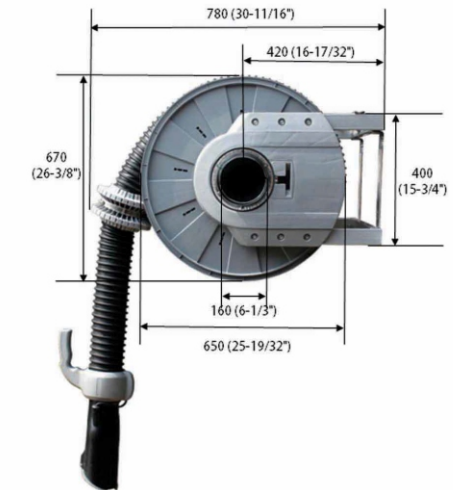
Manual Spring Retraction Hose Reel-Upgraded Model

Manual spring operated reels work best in applications where the hose reel is within reaching distance of the operator. Simply pull down the hose to the desired length and attach the exhaust nozzle to the tailpipe. After successfully removing car exhaust from your space, the hose easily retracts back into the reel.



1. A drum (fibre glass housing and aluminium cylinder) stores the hose securely in place overhead.
2. The hose reel is mounted to a steel bracket.
3. Manual operation with multi-position lock ratchet and stopper collar.
4. Heat & crush resistant rubber hose.
5. Easy-quick nozzle (with probe intake for CO test) can attach to the exhaust source.
6. The hose reel exhaust port can be equipped with a direct mount fan/blower (option) and can be equipped with an automatic damper (option) to save energy and reduces the noise level.

Dimension



Description

The reel is available with or without automatic damper, the one with integrated automatic damper saves energy and reduces the noise level.

ES model 276003 spring hose reel with (1) 75x8000 mm rubber hose, plus the optional 2760S tailpipe nozzle, Rubber Oval Mouth with spring clamp for Max. 1) 110mm tailpipe and c75mm hose.

The Reels are offered in standard 75mm, 100mm, 125mm or 150mm hose diameter for choice. In addition to varying diameters, hose reels may come equipped with standard 200°C at varying lengths.

The Reels have varying nozzle types. Select the adapter that meets your tailpipe diameter and hose diameter needs from our nozzle list.

The Reels are supplied completely assembled and ready for installation. The reels may be connected with duct work to a central exhaust system or each reel may be supplied with a direct mount fan (0.55KW, 0.75KW, 1.5KW and 2.2KW for choice).

ES hose reels may be mounted in three positions: Ceiling mounts, Wall mounts and Floor mounts. Ceiling mounts are most common.

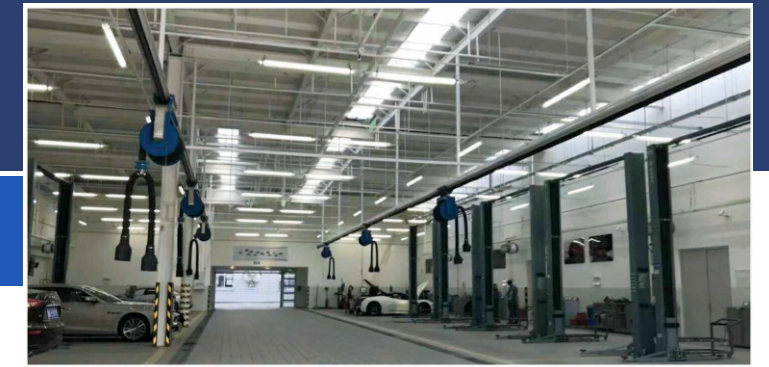
Specification

Item No.	Dust Connection	Exhaust Hose				Nozzle	Fan
		Diameter	Length	Temperature	Material		
276003	Φ110mm	75mm	8m	200°C	Rubber	2760S	0.55KW

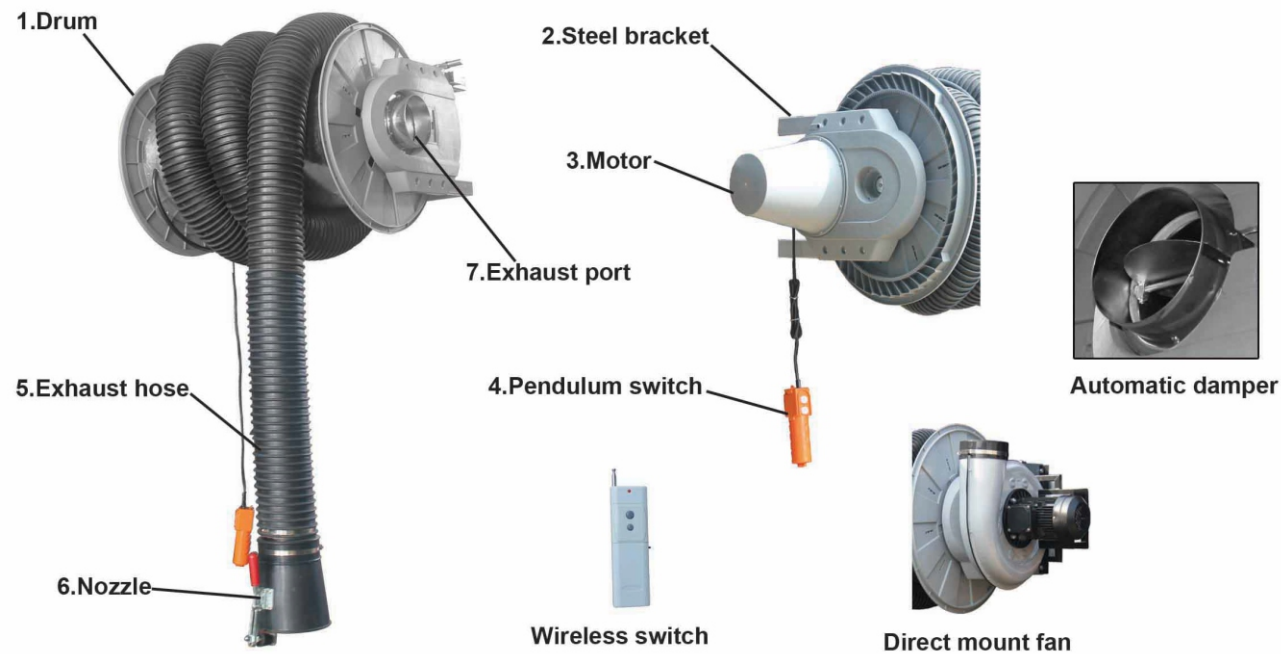
EXTRACTION & REMOVAL SYSTEM

Exhaust extraction systems for workshop and garage at affordable prices!

Motor Operated Hose Reel- Premium Model



Motorized hose reels are preferred when hose reels are beyond the reach of the operator during car exhaust removal. Or when large diameter hose is required and cannot be retrieved by manual spring retraction. Each reel is wired to a control panel that hangs down directly below the hose reel.



1. A drum (fibre glass housing and aluminum cylinder) stores the hose securely in place overhead.
2. The hose reel is mounted to a steel bracket.
3. Motor driven for smooth and quite retraction.
4. 2-button pendulum switch is drop from the reel. (wireless switch is for option).
5. Heat & crush resistant rubber hose.
6. Easy-quick nozzle (with probe intake for CO test) can attach to the exhaust source.
7. The hose reel exhaust port can be equipped with a direct mount fan/blower(option) and can be equipped with an automatic damper (option) to save energy and reduces the noise lever.

Description

The reel is available with or without automatic damper, the one with integrated automatic damper saves energy and reduces the noise level. The hose is motor driven for smooth and quite retraction and precise stop at any desired height.

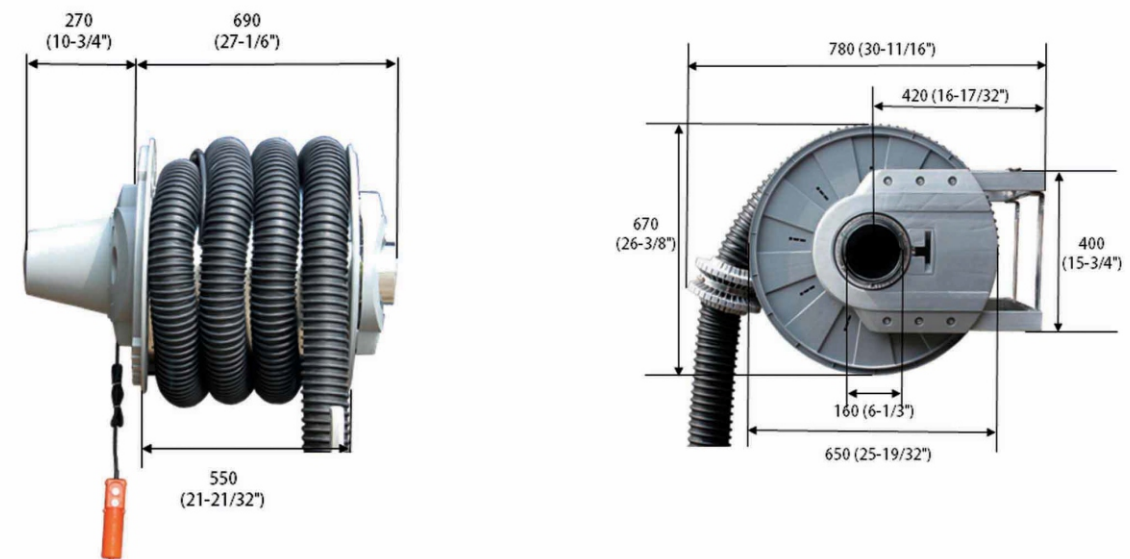
ES model 276007 spring hose reel with c1)150x8000 mm rubber hose, plus the optional 22210 tailpipe nozzle, Rubber Round Mouth for Max. 0210 mm tailpipe and c1)150mm hose.

The Reels are offered in standard 75mm, 100mm, 125mm or 150mm hose diameters for choice. In addition to varying diameters, hose reels may come equipped with standard 200°C 300°C or 500°C hose for choice, at varying lengths. The Reels have varying nozzle types. Select the adapter that meets your tailpipe diameter and hose diameter needs from our nozzle list.

The Reels are supplied completely assembled and ready for installation. The reels may be connected with ductwork to a central exhaust system or each reel may be supplied with a direct mount fan (**0.55KW, 0.75KW, 1.5KW or 2.2KW for choice**).

ES hose reels may be mounted in three positions: Ceiling mounts, Wall mounts and Floor mounts. Ceiling mounts are most common.

Dimension



Specification

Item No.	Dust Connection	Exhaust Hose				Nozzle	Fan
		Diameter	Length	Temperature	Material		
276007	Φ160mm	150mm	10m	200°C	Rubber	22210	0.75KW

EXTRACTION & REMOVAL SYSTEM

Exhaust extraction systems for workshop and garage at affordable prices!

Sliding System

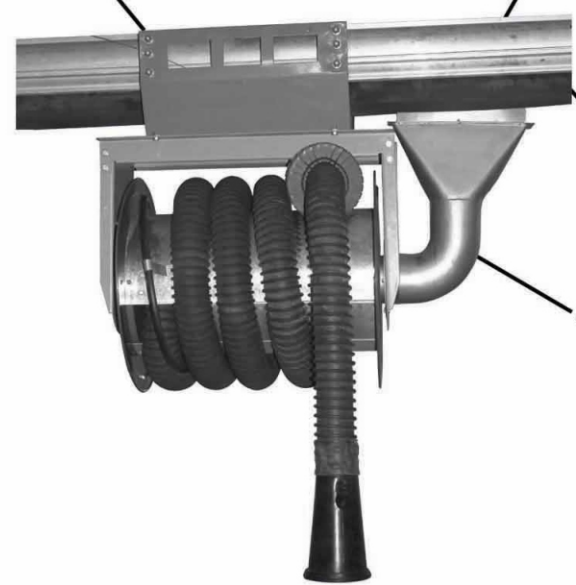
Sliding system represents the most effective solution if a number of workplaces is arranged side by side. Rail sliding trolley allows "simple drop" or "hose reel" to be shared among working bays.

1.Rail sliding trolley

2.Extruded aluminum pipe

3.Rubber lip seals

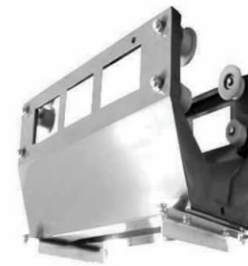
4.Exhaust outlet parts



Aluminum sliding rail

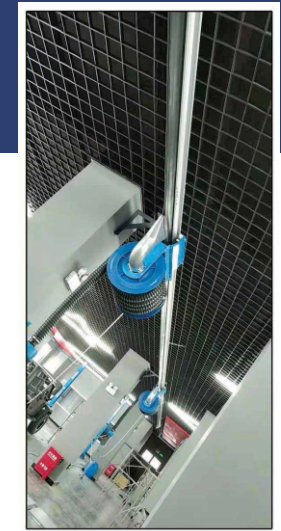
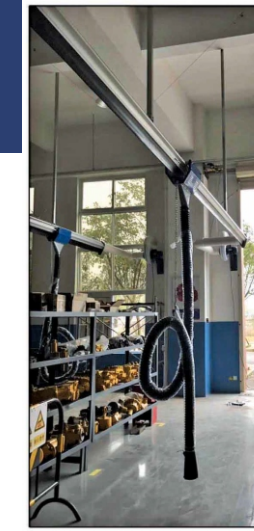


Exhaust outlet parts



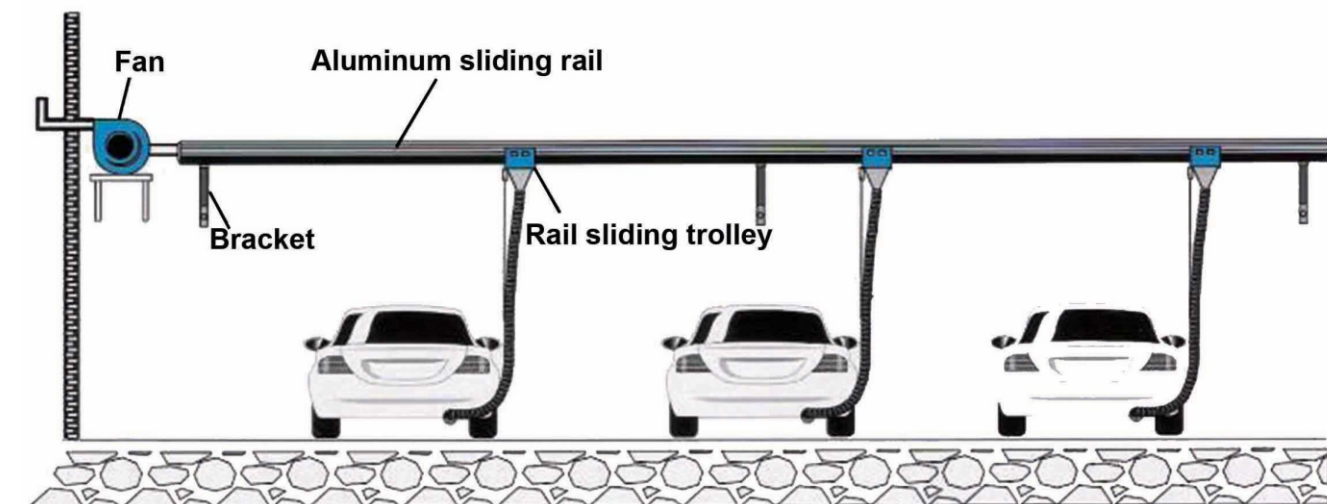
Rail sliding trolley

1. Heavy duty trolley is fitted with eight bearing rollers for smooth operation.
2. Round shaped aluminum pipe allows for efficient airflow and sleek styling.
3. Rubber lip seals are temperature resistant.
4. Exhaust outlet parts is equipped at exhaust port of hose reel, guiding exhaust into pipe.



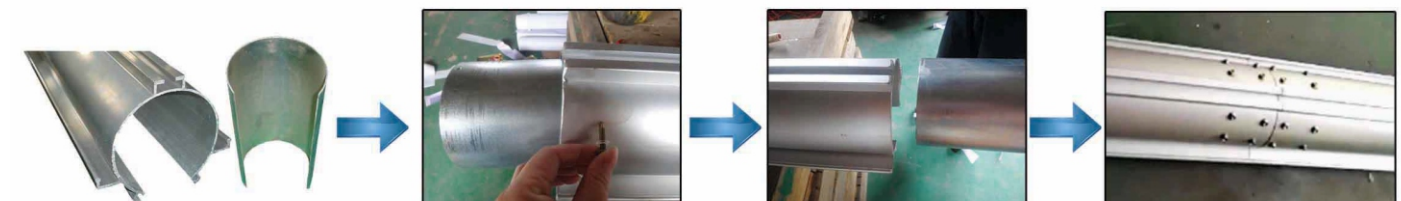
may have heard of a sliding system called "exhaust rail channel system". It can be used interchangeably to describe this flexible and efficient system. It can service all types of workshops. By sliding the "simple drop" or "hose reel" along the rails, the "simple drop" or "hose reel" could serve multiple bays along the full length of the workshop, as this system is highly cost effective.

The sliding system is tied into a central exhaust fan which could be mounted to an exterior wall, on the roof or from the eaves. Spiral duct will connect to the end or middle of rail and run to the central exhaust fan.



Extension of aluminum rails:

The rails are offered in standard 4 metres long. Coupling and drill-end self-tapping screws jointing ensures a simple, trouble-free installation.



EXTRACTION & REMOVAL SYSTEM

Exhaust extraction systems for workshop and garage at affordable prices!

Mini Set

ES Mini-Set is the simplest solution for removing harmful car exhaust fumes from service bays. It is a stand-alone system, working best in application of small workshops or residential garage due to its ease of installation and lower cost compared with other alternatives.



1. Mini-Set is mounted to a steel bracket
2. A direct mount blower is equipped
3. Adaptor for hose
4. Heat resistant rubber exhaust hose.
5. Hose bearing is used to stow hose well
6. Easy-quick nozzle can attach to the exhaust source

1. ES model 276105 Mini-Set with 1 pc 75x4000 mm rubber hose, plus the optional 26120 tailpipe nozzle, Round Mouth for Max. 120mm tailpipe and 175mm hose.
2. ES model 276106 Mini-Set with 2pcs 75x4000 mm rubber hoses, plus the optional 26120 tailpipe nozzles, Round Mouth for Max. 120mm tailpipe and 75mm hose.
3. The Mini-Sets are offered in standard 75mm, 100mm, 125mm or 150mm hose for choice. In addition to varying diameters, Mini-Sets may come equipped with standard 200°C 300°C or 500°C hose for choice at varying lengths.
4. The Mini-Sets have varying nozzle types. Select the adapter that meets your tailpipe diameter and hose diameter needs from our nozzle list.
5. The Mini-Sets are supplied completely assembled and ready for installation. The direct mount fan may be equipped with standard 0.55KW, 0.75KW, 1.5KW or 2.2KW for choice.
6. ES Mini-Sets may be mounted in two positions: Ceiling mounts, Wall mounts. Wall mounts are most common.

Specification

Item No.	Dust Connection	Exhaust Hose				Nozzle	Fan
		Dia.	Len.	Temp.	Mat.		
276105	/	75mm	4m	200°C	Rubber	26120	0.75KW
276106	/	75mm	4m+4m	200°C	Rubber	26120	0.75KW

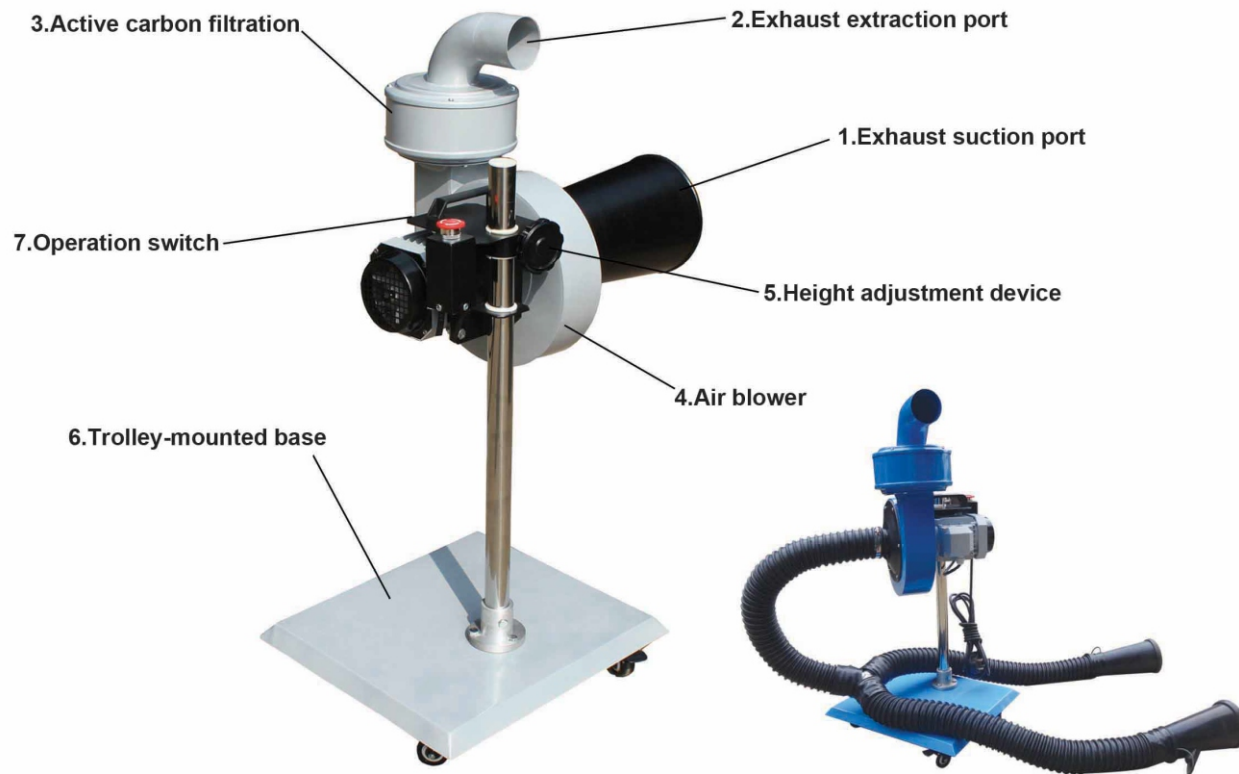


EXTRACTION & REMOVAL SYSTEM

Exhaust extraction systems for workshop and garage at affordable prices!

Portable System

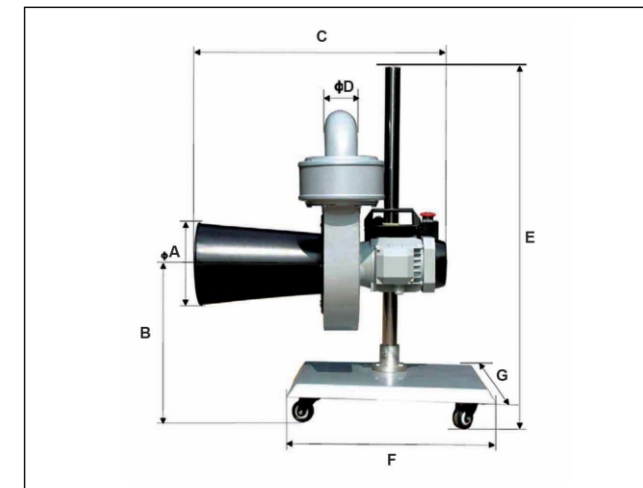
ES portable system is ideal for workshops, garages, and facilities where an overhead or under-floor system is not necessary. This portable source capture system can remove fumes and particulate by keeping them away from indoor work environments, helping establish workers' healthy.



Description

1. There are single exhaust suction port and double exhaust suction ports for choice.
2. 75mm exhaust extraction port can be connected with 75mm, 100mm, 125mm or 150mm hose for choice. In addition to varying diameters, 200°C, 300°C or 500°C hoses are for choice at varying lengths.
3. Active carbon filtration ensures a cleaner and particulate-free extraction.
4. The air blower(fan) may be equipped with standard 0.55KW, 0.75KW, 1.5KW or 2.2KW for choice.
5. Working height is adjustable from 260mm to 750mm to catch vehicle's tailpipe.
6. Trolley-mounted base with four universal casters (2pcs with brake) for flexible moving.

Dimension



A	200mm
B	260-750mm
C	630mm
D	75mm
E	870mm
F	490mm
G	440mm



Specification

Item No.	Suction Port	Exhaust hose				Air blower
		Dia.	Len.	Temp.	Mat.	
276001	Single (Φ200mm metal nozzle)	Φ75mm	40m	200°C	Rubber	0.55KW
276002	Double ("Y-piece": Φ75mm hose+26120 rubber nozzles)	Φ75mm	40m	200°C	Rubber	0.55KW

Remarks: 276002 is with double exhaust suction ports by fixing "Y-piece" which is formed with 3pcs of hose, 1 pc of 3-port hose adaptor and 2pcs of nozzles. To meet special application, select hoses and nozzles from our nozzle & hose list to formed suitable "Y-piece".